

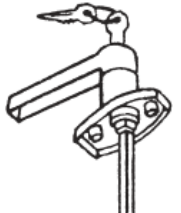


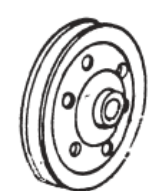

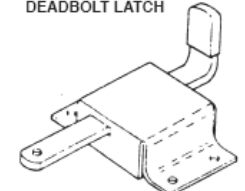
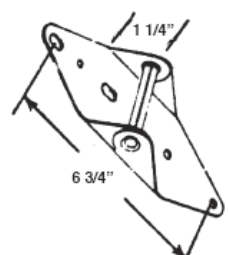
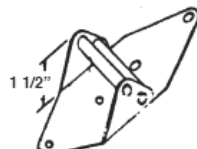

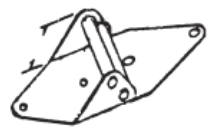
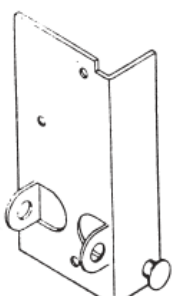
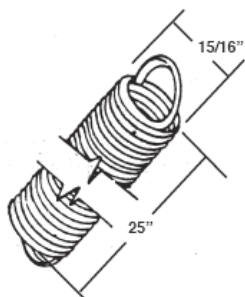
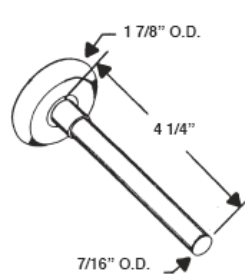
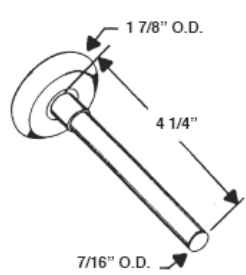


Garage Door Hardware

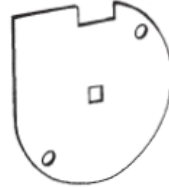
www.bartonkramer.com

<p>#1050 GARAGE DR. "T" HANDLE W/KEY</p> 	<p>#1051 GARAGE DR. "L" HANDLE</p> 	<p>#1052 GARAGE DR. "L" HANDLE W/KEY</p> 	<p>#1067 LIFT HANDLE</p> 
<p>#1054 TOP ROLLER BRACKET</p> 	<p>#8022 3" GARAGE DOOR PULLEY</p> 	<p>#1056 4 1/4" GARAGE DR PULLEY</p> 	<p>#1057 GARAGE DOOR DEADBOLT LATCH</p> 
<p>#8002 GARAGE DOOR HINGE #1</p> 	<p>#8003 GARAGE DOOR HINGE #2</p> 	<p>#1055 GARAGE DOOR HINGE</p> 	<p>#8004 GARAGE DOOR HINGE #4</p> 
<p>BOTTOM DOOR BRACKET #1065 LEFT #1066 RIGHT</p>  <p>RIGHT HAND SHOWN</p>	<p>GARAGE DOOR SPRINGS</p> <ul style="list-style-type: none"> <li>#10346 110 LBS. WHITE</li> <li>#10342 120 LBS. GREEN</li> <li>#10347 130 LBS. YELLOW</li> <li>#10343 140 LBS. BLUE</li> <li>#10348 150 LBS. RED</li> </ul> 	<p>#1053 GARAGE DOOR ROLLER STEEL WHEEL</p> 	<p>#8021 GARAGE DOOR ROLLER NYLON WHEEL</p> 

#1048  
1/8" X 12' GARAGE DOOR CABLE  
#1049  
1/8" X 8' GARAGE DOOR CABLE



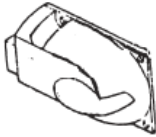
#10644  
GARAGE DOOR CENTER DISC  
SQUARE HOLE



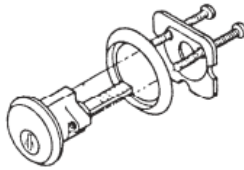
#10645  
GARAGE DOOR CENTER DISC  
DIAMOND HOLE



#10646  
GARAGE DOOR LOCK



#8020  
GARAGE DR KEY CYLINDER



#10647  
GARAGE DOOR CENTER SWIVEL

