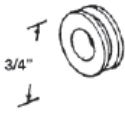

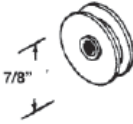
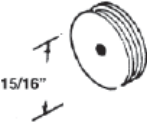






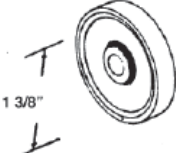
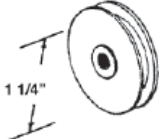
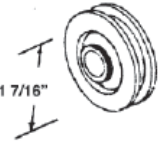


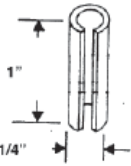
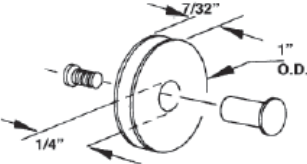

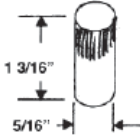

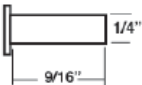


No.	Outer Material Description	Diameter A	Hole Size B	Hub Width C	Width D
11	Steel - with deep grove	1"	1/4"	3/8"	5/16"
12	Steel	1 1/8"	1/4"	3/8"	5/16"
15	Steel	1 1/4"	1/4"	1/3"	5/16"
16	Nylon	1 1/4"	1/4"	1/3"	5/16"
17	Steel	1 1/4"	1/4"	3/8"	5/16"
18	Nylon	1 1/4"	1/4"	3/8"	5/16"
19	Steel	1 1/4"	1/4"	1/2"	5/16"
20	Nylon	1 1/4"	1/4"	1/2"	5/16"
21	Steel	1 1/2"	3/16"	1/3"	5/16"
22	Nylon	1 1/2"	3/16"	1/3"	5/16"
23	Steel	1 1/2"	1/4"	1/3"	5/16"
24	Nylon	1 1/2"	1/4"	1/3"	5/16"
33	Stainless Steel	1 1/2"	1/4"	1/3"	5/16"
26	Steel	1 1/2"	1/4"	3/8"	5/16"
27	Nylon	1 1/2"	1/4"	3/8"	5/16"
29	Nylon	1 1/2"	1/4"	1/2"	5/16"
30	Steel - with deep grove	1 1/2"	1/4"	1/2"	5/16"
32	Nylon - Heavy Duty (Killian)	1 11/16"	1/4"	1/2"	3/8"

**ALL WHEELS HAVE BALL BEARINGS  
AND ARE MADE FOR PATIO DOOR MANUFACTURING COMPANIES**

<p>#41</p> 	<p>#42</p> 	<p>#45</p> 	<p>#46</p> 
<p>#48</p> 	<p>#49</p> 	<p>#51</p> 	<p>#52</p> 
<p>#53</p> 	<p>#54</p> 	<p>#57</p> 	<p>#59</p> 
<p>#60</p> 	<p>#68</p> 	<p>#69</p> 	<p>#193 ROLL PIN</p>  <p>#10730 1/4" X 1 1/16"</p>
<p>#55 AIR CONTROL NYLON WHEEL WITH POST AND SCREW</p> 	<p>#39 NYLON WHEEL W/BRASS BUSHING</p> 	<p>#10231 PATIO DOOR WHEEL AXLE</p> 	
<p>#10228 PATIO DOOR WHEEL RIVET</p> 	<p>#10615 PATIO DOOR WHEEL RIVET</p> 	<p>#195 PATIO DOOR WHEEL AXLE</p> 